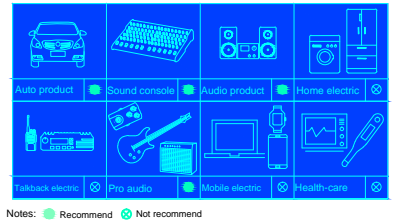


Features

- Compact 9mm design
- Carbon element
- Ganging up to 12 sections available
- Audio taper option
- Tracking error within 2dB
- Adjusting shaft type is rich



RV97 Series-9.5mm Sealed Insulation Shaft Rotary Potentiometer

How To Order

RV97P0 B0-TB10B7.0-B503-0000

A Rotary Potentiometer Model:97
 C PC Pin Vertical/Terminal Size
 D Switch Configuration
 B0=No Switch BS=Rotary Switch
 F Standard Shaft Length"L"
 H Installation Dimension"A"
 I Resistance Curve and Resistance Value

B Bushing Specification"W"
 P=1.5 C=4.0 R=5.0
 E Shaft Style
 G Shaft Materials
 B=Black Insulation Shaft
 H=Gary Insulation Shaft
 J=Golden Insulation Shaft
 T=Pellucid Insulation Shaft
 J Serial number

Resistance Curve To See:Tapers

Code	501	102	103	253	503	104	105
Value	500Ω	1KΩ	10KΩ	25KΩ	50KΩ	100KΩ	1MΩ

Mechanical Characteristics

Total Rotational Angle.....300°±10°
 Shaft Stopper Strength.....3Kgf.cm min.
 Shaft Wobble.....0.5 x L/20mm p-p max.
 Rotational Torque.....10 to 150gf.cm
 Shaft Push-Pull Strength.....5Kgf 10s min.
 Soldering Condering.....
 Manual Soldering.....96.5 Sn/3.0 Ag/0.5 Cu Sold Wire Or No-clean Rosin Cored Wire 280 °C Max.For 3 Seconds
 Wave Soldering.....96.5 Sn/3.0 Ag/0.5 Cu Solder With No-clean Flux 260 °C Max.For 5 Seconds
 Wash Process.....Not Recommended

Electrical Characteristics

Standard Resistance Range.....200Ω To 2MΩ
 Maximun Operating Voltage.....150 VAC,20 VDC
 Noise.....100 mV max.
 Voltage proof.....300V AC for 1 minute.
 Insulation resistance.....100MΩ min. 250V DC
 Residual Resistance.....20 Ω max.
 Total Resistance Tolerance.....±10 Or ±20%
 Rated Power.....
 Linear Taper.....0.05 Watts
 Audio Taper.....0.025 Watts
 Tracking Error(-40 dB To 0 dB).....±3 dB
 Higher Requirements Need To Be Customized.....

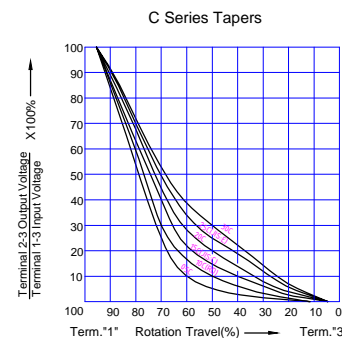
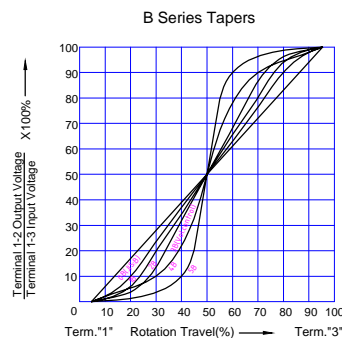
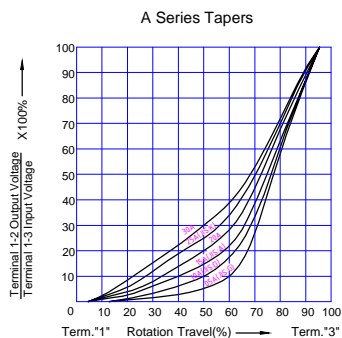
Environmental Characteristics

Operating Temperature Range.....-10 to +70
 Storage Temperature Range.....-40 to +85
 Sealability(Optional).....IP40 or IP67

Durability Characteristics

Rotational Life.....10,000 cycles

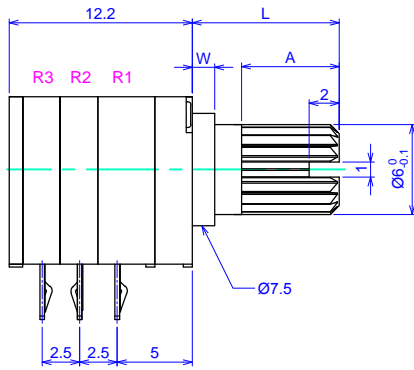
Tapers



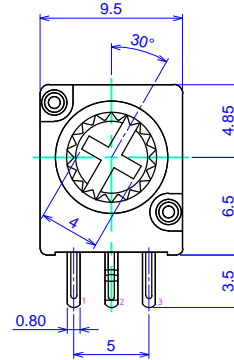
Product Dimensions

Unit:mm

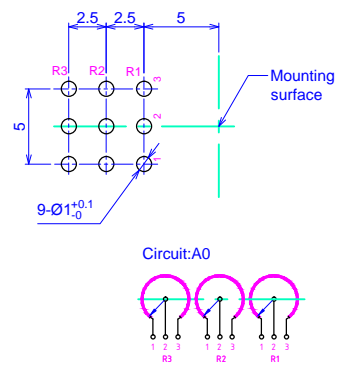
RV97P1A0



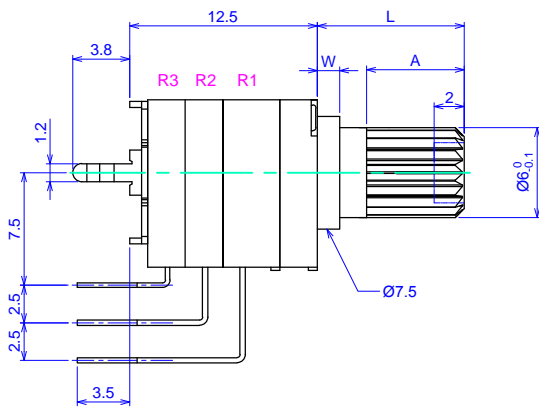
Shaft shown in full CCW position



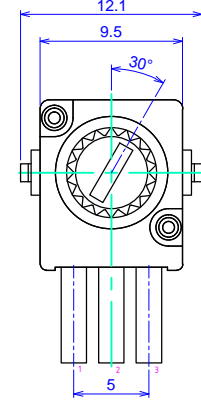
PC board mounting hole dimensions (Viewed from mounting side)



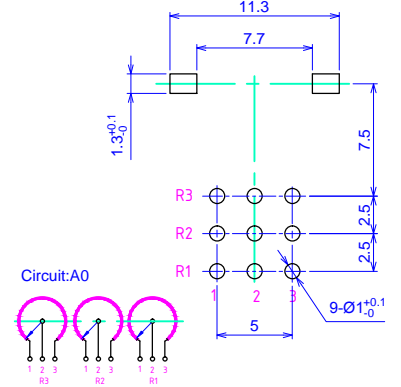
RV97P2A0



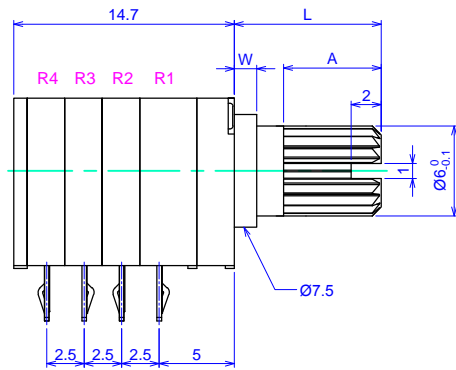
Shaft shown in full CCW position



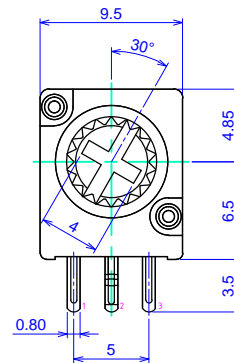
PC board mounting hole dimensions (Viewed from mounting side)



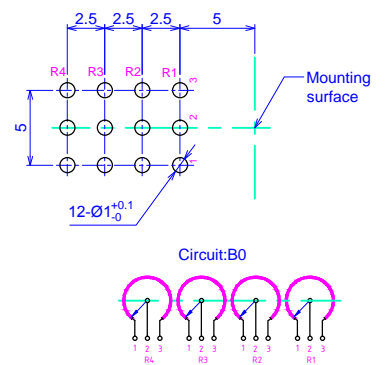
RV97P1B0



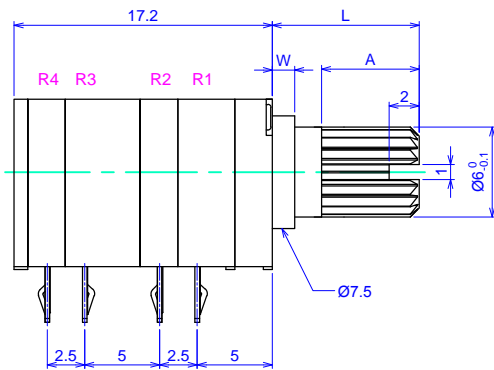
Shaft shown in full CCW position



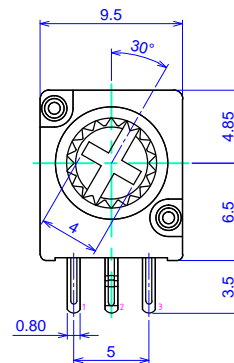
PC board mounting hole dimensions (Viewed from mounting side)



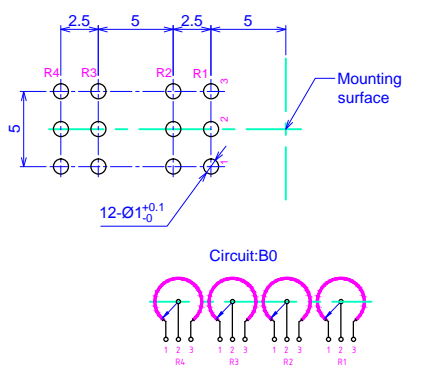
RV97P1B0



Shaft shown in full CCW position



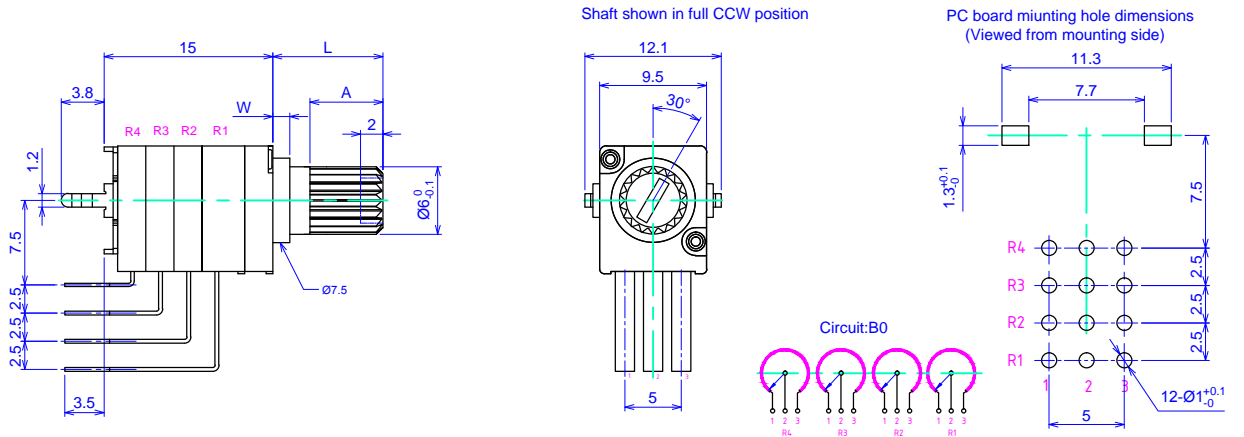
PC board mounting hole dimensions (Viewed from mounting side)



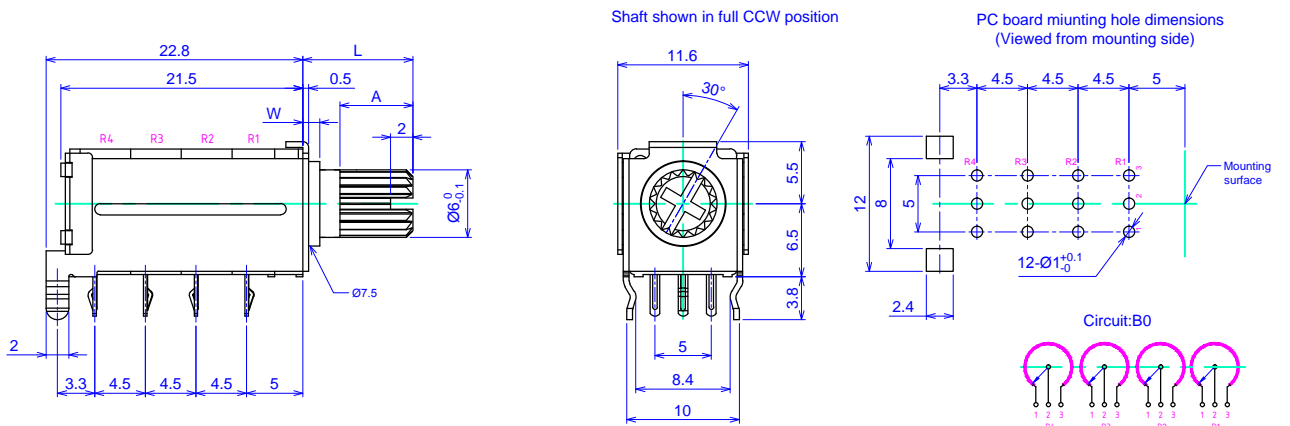
Product Dimensions

Unit:mm

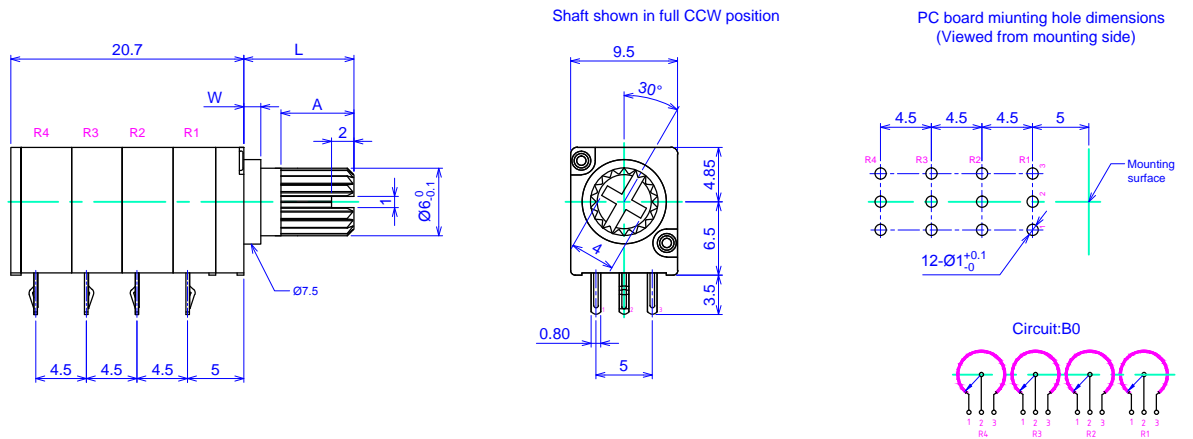
RV97P2B0



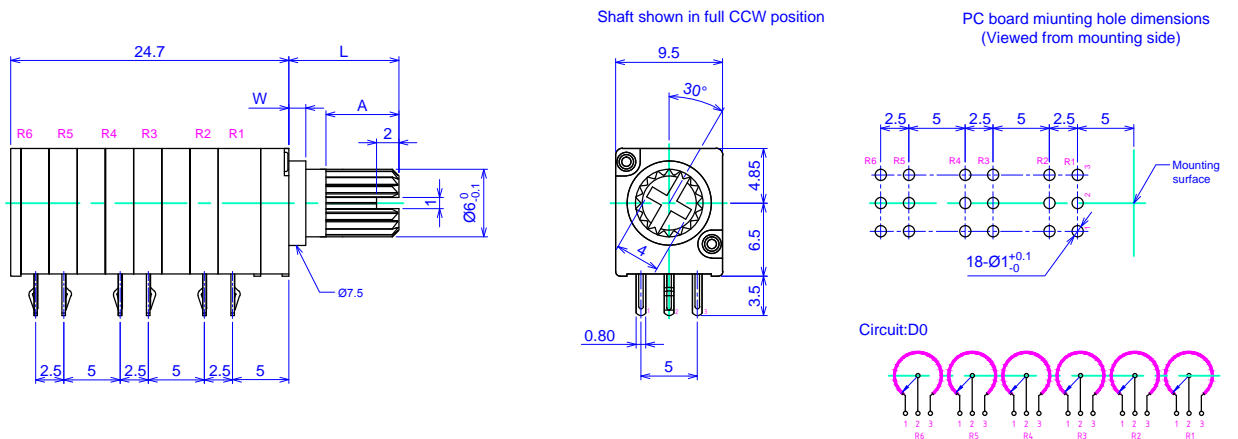
RV9784B0



RV97P4B0



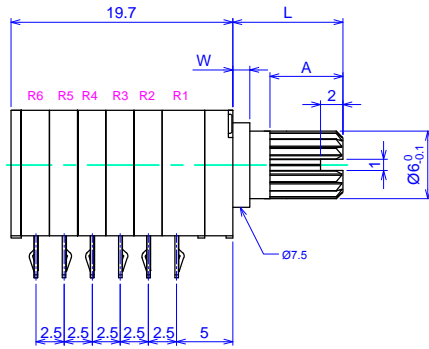
RV97P0D0



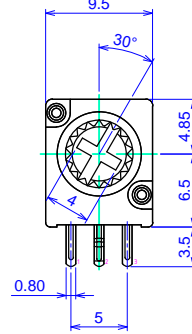
Product Dimensions

Unit:mm

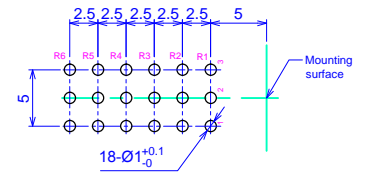
RV97P1D0



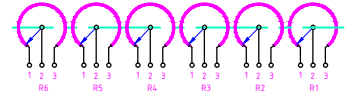
Shaft shown in full CCW position



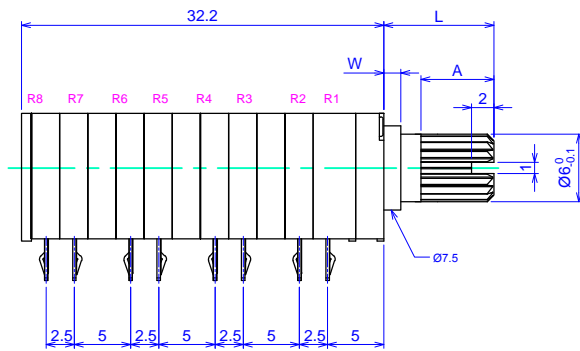
PC board mounting hole dimensions (Viewed from mounting side)



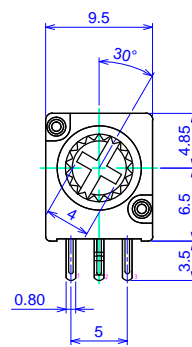
Circuit:D0



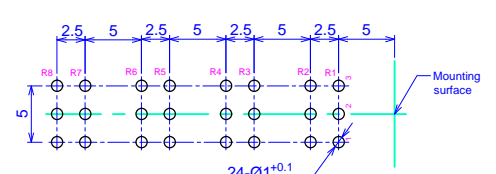
RV97P0F0



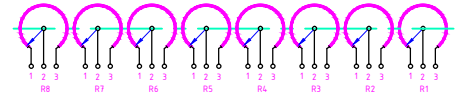
Shaft shown in full CCW position



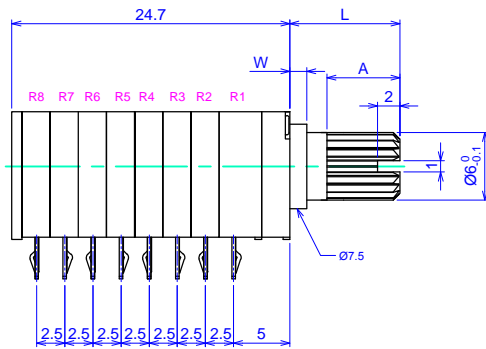
PC board mounting hole dimensions (Viewed from mounting side)



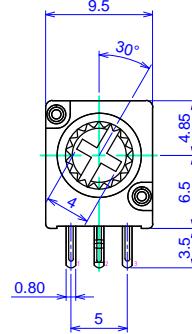
Circuit:F0



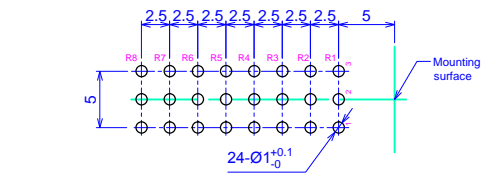
RV97P1F0



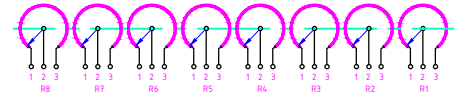
Shaft shown in full CCW position



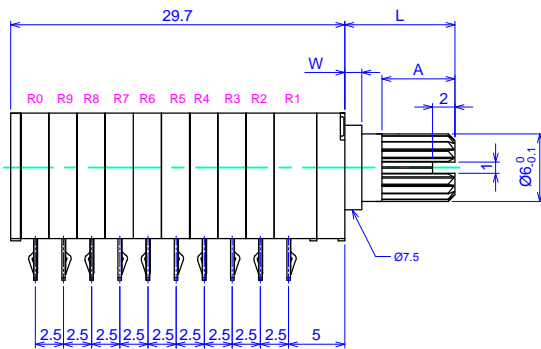
PC board mounting hole dimensions (Viewed from mounting side)



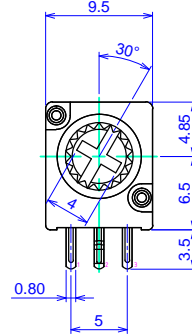
Circuit:F0



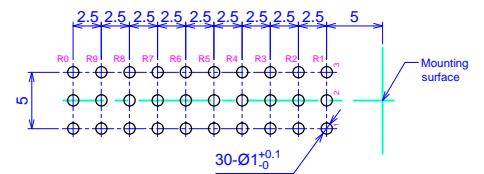
RV97P1H0



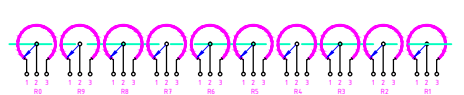
Shaft shown in full CCW position



PC board mounting hole dimensions (Viewed from mounting side)



Circuit:H0



Shaft Specifications Unit:mm

TB/TD-Shaft Type	Detail Dimensions	TS-Shaft Type	Detail Dimensions																								
Shaft shown in full CCW position		Shaft shown in full CCW position																									
TB-Shaft TD-Shaft		TS-Shaft																									
<table border="1" style="width: 100%; border-collapse: collapse;"> <tr> <td>L</td><td>6.5</td><td>9.5</td><td>10.5</td><td>14.5</td><td>19.5</td> </tr> <tr> <td>A</td><td>4.5</td><td>7.0</td><td>7.0</td><td>7.0</td><td>7.0</td> </tr> </table>		L	6.5	9.5	10.5	14.5	19.5	A	4.5	7.0	7.0	7.0	7.0	<table border="1" style="width: 100%; border-collapse: collapse;"> <tr> <td>L</td><td>3.5</td><td>6.5</td><td>9.5</td><td>14.5</td> </tr> <tr> <td>A</td><td>2.0</td><td>4.5</td><td>7.0</td><td>7.0</td> </tr> </table>		L	3.5	6.5	9.5	14.5	A	2.0	4.5	7.0	7.0		
L	6.5	9.5	10.5	14.5	19.5																						
A	4.5	7.0	7.0	7.0	7.0																						
L	3.5	6.5	9.5	14.5																							
A	2.0	4.5	7.0	7.0																							
TC/TR-Shaft Type	Detail Dimensions	TG/TJ-Shaft Type	Detail Dimensions																								
Shaft shown in full CCW position		Shaft shown in full CCW position																									
TC-Shaft TR-Shaft		TG-Shaft TJ-Shaft																									
<table border="1" style="width: 100%; border-collapse: collapse;"> <tr> <td>L</td><td>6.5</td><td>9.5</td><td></td><td></td><td></td> </tr> <tr> <td>A</td><td>4.5</td><td>7.0</td><td></td><td></td><td></td> </tr> </table>		L	6.5	9.5				A	4.5	7.0				<table border="1" style="width: 100%; border-collapse: collapse;"> <tr> <td>L</td><td>6.5</td><td>9.5</td><td>14.5</td><td></td><td></td> </tr> <tr> <td>A</td><td>4.5</td><td>7.0</td><td>7.0</td><td></td><td></td> </tr> </table>		L	6.5	9.5	14.5			A	4.5	7.0	7.0		
L	6.5	9.5																									
A	4.5	7.0																									
L	6.5	9.5	14.5																								
A	4.5	7.0	7.0																								
SB-E/Y-Shaft Type	Detail Dimensions	SR-Shaft Type	Detail Dimensions																								
Shaft shown in full CCW position		Shaft shown in full CCW position																									
SB(L)E-Shaft SB(L)Y-Shaft		SR-Shaft																									
<table border="1" style="width: 100%; border-collapse: collapse;"> <tr> <td>L</td><td>10</td><td>15</td><td></td><td></td><td></td> </tr> </table>		L	10	15				<table border="1" style="width: 100%; border-collapse: collapse;"> <tr> <td>L</td><td>10</td><td>15</td><td></td><td></td><td></td> </tr> </table>		L	10	15															
L	10	15																									
L	10	15																									

Bushing Type Unit:mm

A:	B:												
<table border="1" style="width: 100%; border-collapse: collapse;"> <tr> <td>W</td><td>1.5</td><td>5.0</td> </tr> <tr> <td>□</td><td>P</td><td>R</td> </tr> </table>	W	1.5	5.0	□	P	R	<table border="1" style="width: 100%; border-collapse: collapse;"> <tr> <td>W</td><td>4.0</td><td></td> </tr> <tr> <td>□</td><td>C</td><td></td> </tr> </table>	W	4.0		□	C	
W	1.5	5.0											
□	P	R											
W	4.0												
□	C												

- ◆ Notes:
- Normal color for shaft is black.
 - Shaft length and color can be customized.
 - The shaft type shown are normal, if special shaft type needed, please contact with us.
 - Material for shaft is PC, if need other material please contact with us.