

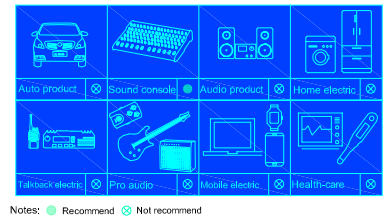
Special designed for sound console with small wobble and smooth rotary feeling

SANNI



Features

- Carbon element
- Insulated shaft
- Snap-in clip
- Center detent
- Center tap option
- Assorted pin layouts
- Dual gang option
- Various taper options



Notes: ● Recommend ● Not recommend

RK09D/RK12L Series Insulation Shaft Rotary Potentiometer

How To Order

RK09D22N0-FA35B12-B503-0000

A Rotary Potentiometer Model:09D/12L
 C PC Pin Vertical/Terminal Size
 D Circuit
 N0=Single Circuit G0= Dual Circuit
 F Standard Shaft Length"L"
 H Installation Dimension"A"
 I Resistance Curve and Resistance Value
 Resistance Curve To See:Tapers

Code	501	102	103	253	503	104	105
Value	500Ω	1KΩ	10KΩ	25KΩ	50KΩ	100KΩ	1MΩ

RK12L22G0-FA35B12-B503-1000

B Terminal Configuration(Pin Layout)
 E Shaft Style
 G Shaft Materials
 B=Black Insulation Shaft
 H=Gary Insulation Shaft
 J=Golden Insulation Shaft
 T=PELLUCID Insulation Shaft
 J Serial number

Mechanical Characteristics

Total Rotational Angle.....300°±5°
 Shaft Stopper Strength.....3Kgf.cm min.
 Shaft Wobble.....0.5 x L/20mm p-p max.
 Rotational Torque.....20 to 100gf.cm
 Shaft Push-Pull Strength.....8Kgf 10s min.
 Soldering Condering.....
 Manual Soldering.....96.5 Sn/3.0 Ag/0.5 Cu Sold Wire Or No-clean Rosin Cored Wire 280℃ Max.For 3 Seconds
 Wave Soldering.....96.5 Sn/3.0 Ag/0.5 Cu Solder With No-clean Flux 260℃ Max.For 5 Seconds
 Wash Process.....Not Recommended

Electrical Characteristics

Standard Resistance Range.....1KΩ To 500KΩ
 Maximun Operating Voltage.....50 VAC,20 VDC
 Noise......80 mV max.
 Voltage proof.....100V AC for 1 minute.
 Insulation resistance.....100MΩ min. 250V DC
 Tracking Error.....±2dB of 0~40dB
 Total Resistance Tolerance.....±10% Or ±20%
 Rated Power.....
 Linear Taper.....0.05 Watts
 Audio Taper.....0.025 Watts
 Residual Resistance......5Ω max.

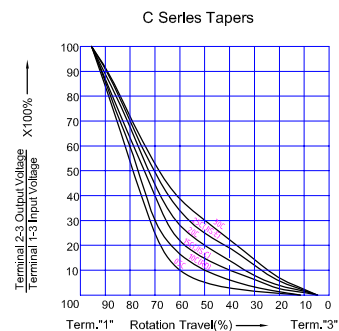
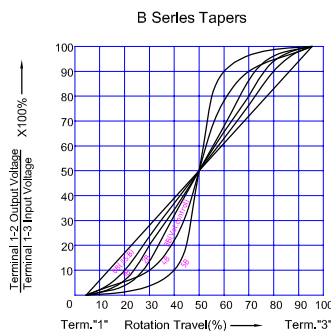
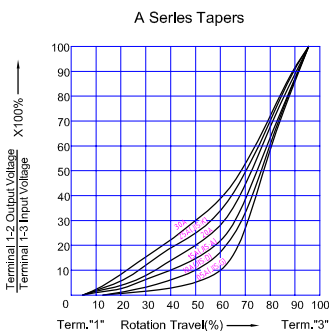
Environmental Characteristics

Operating Temperature Range.....-10℃ to +70℃ Storage Temperature Range.....-40℃ to +85℃

Durability Characteristics

Rotational Life.....15,000 cycles

Tapers



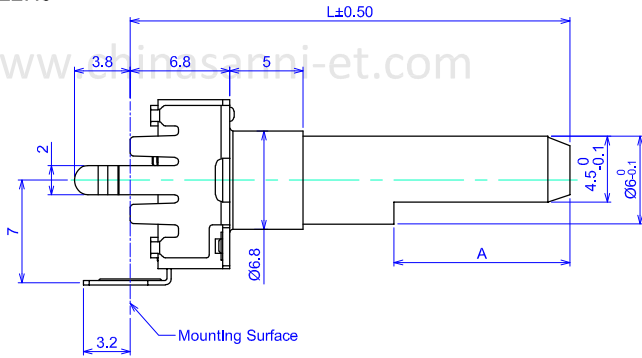
Tel:+86-769-85968666 Fax:+86-769-85596262

Http:www.chinasanni.com E-mail:sanni@chinasanni.com

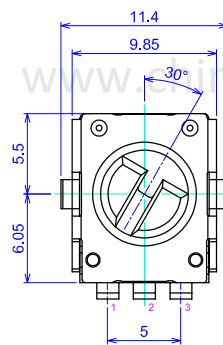
Product Dimensions

Unit:mm

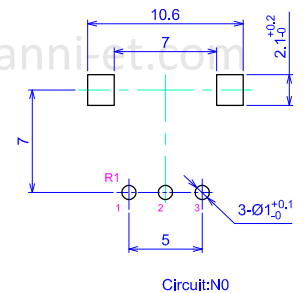
RK09D22N0



Shaft shown in full CCW position



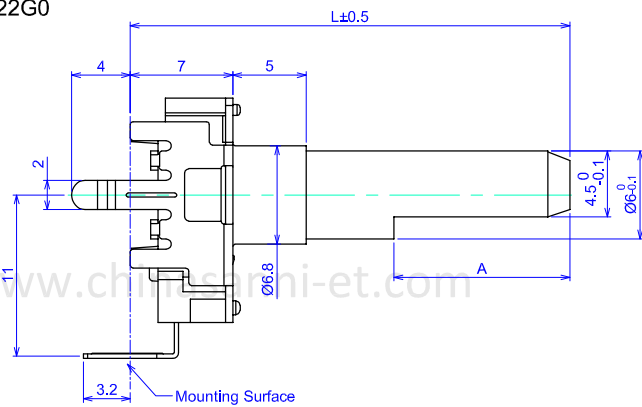
PC board mounting hole dimensions (Viewed from mounting side)



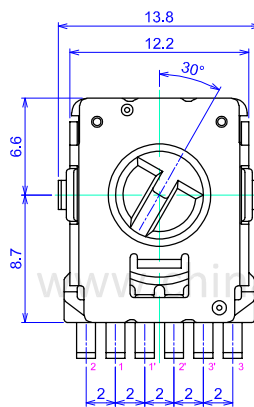
Circuit:N0



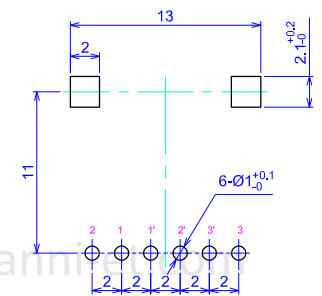
RK12L22G0



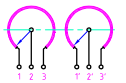
Shaft shown in full CCW position



PC board mounting hole dimensions (Viewed from mounting side)



Circuit:G0

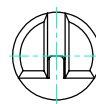
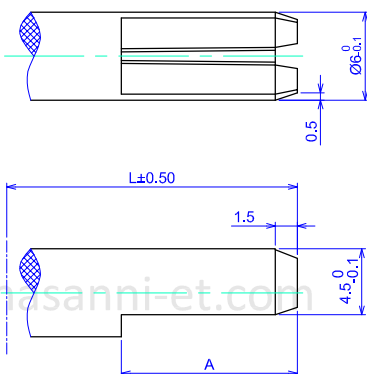


Shaft Specifications

Unit:mm

FA-Shaft Type

Detail Dimensions



Order Number	Shaft length	
	L	A
FA25B12	25.0	12.0
FA27.5B12	27.5	12.0
FA30B12	30.0	12.0
FA32.5B12	32.5	12.0
FA35B12	35.0	12.0
FA37.5B12	37.5	12.0
FA40B12	40.0	12.0

- ◆ Notes:
- Normal color for shaft is black.
- Shaft length and color can be customized.
- The shaft type shown are normal, if special shaft type needed, please contact with us.
- Material for shaft is PC, if need other material please contact with us.