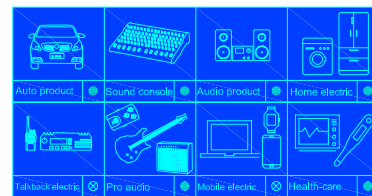




Features

- Compact 9mm design
- Carbon element
- Wide variety of mounting styles
- Center detent option
- RoHS compliant



Notes: ● Recommend ⊗ Not recommend

RV111 Series-12mm Sealed Insulation Shaft Rotary Potentiometer

How To Order

RV11122G0-FA30B12-B503-0000

A Rotary Potentiometer Model:111
 C PC Pin Vertical/Terminal Size
 D Switch Configuration
 N0=Single Circuit G0=Dual Circuit
 F Standard Shaft Length"L"
 H Installation Dimension"A"
 I Resistance Curve and Resistance Value
 Resistance Curve To See:Tapers

Code	501	102	103	253	503	104	105
Value	500Ω	1KΩ	10KΩ	25KΩ	50KΩ	100KΩ	1MΩ

B Terminal Configuration(Pin Layout)
 E Shaft Style
 G Shaft Materials
 B=Black Insulation Shaft
 H=Gary Insulation Shaft
 J=Golden Insulation Shaft
 T=PELLUCID Insulation Shaft
 J Serial number

Mechanical Characteristics

Total Rotational Angle.....300°±10°
 Shaft Stopper Strength.....3Kgf.cm min.
 Shaft Wobble.....0.5 x L/20mm p-p max.
 Rotational Torque.....20 to 150gf.cm
 Shaft Push-Pull Strength.....8Kgf 10s min.

Soldering Condering.....
 Manual Soldering.....96.5 Sn/3.0 Ag/0.5 Cu Sold Wire Or No-clean Rosin Cored Wire 280°C Max.For 3 Seconds
 Wave Soldering.....96.5 Sn/3.0 Ag/0.5 Cu Solder With No-clean Flux 260°C Max.For 5 Seconds
 Wash Process.....Not Recommended

Electrical Characteristics

Standard Resistance Range.....200Ω To 2MΩ
 Maximun Operating Voltage.....50 VAC,20 VDC
 Noise.....100 mV max.
 Voltage proof.....100V AC for 1 minute.
 Insulation resistance.....100MΩ min. 250V DC
 Tracking Error.....±3dB of 0~40dB

Total Resistance Tolerance.....±10% Or ±20%
 Rated Power.....
 Linear Taper.....0.05 Watts
 Audio Taper.....0.025 Watts
 Residual Resistance.....20Ω max.

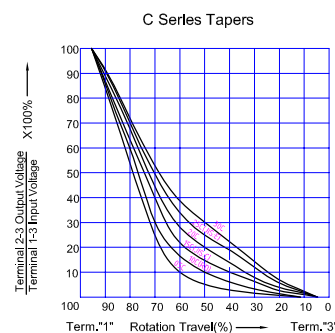
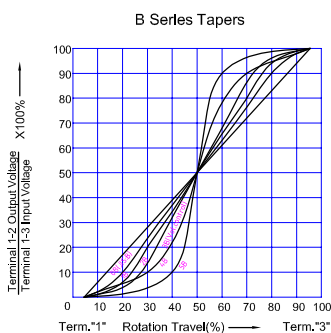
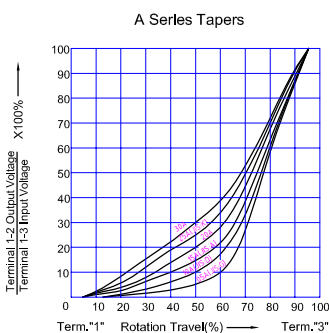
Environmental Characteristics

Operating Temperature Range.....-10°C to +70°C
 Storage Temperature Range.....-40°C to +85°C

Durability Characteristics

Rotational Life.....10,000 cycles

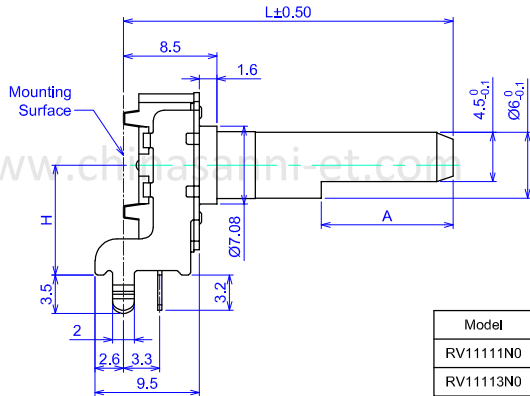
Tapers



Product Dimensions

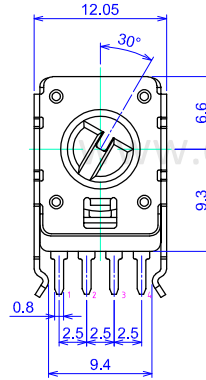
Unit:mm

RV11111N0
RV11113N0

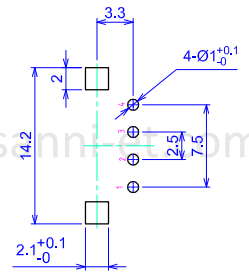


Model	H
RV11111N0	10.0
RV11113N0	12.5

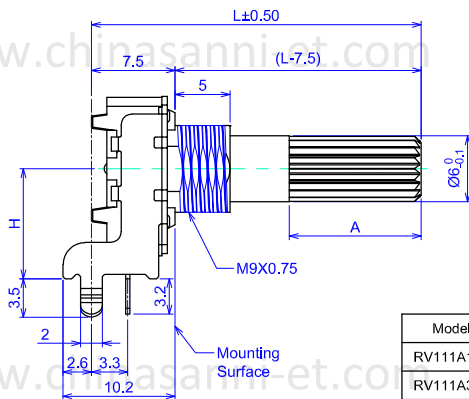
Shaft shown in full CCW position



PC board mounting hole dimensions (Viewed from mounting side)

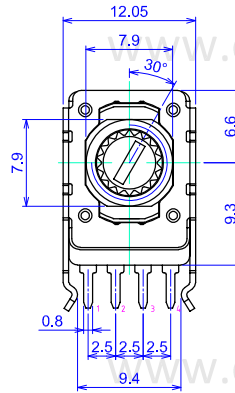


RV111A1N0
RV111A3N0

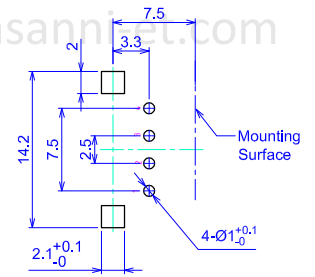


Model	H
RV111A1N0	10.0
RV111A3N0	12.5

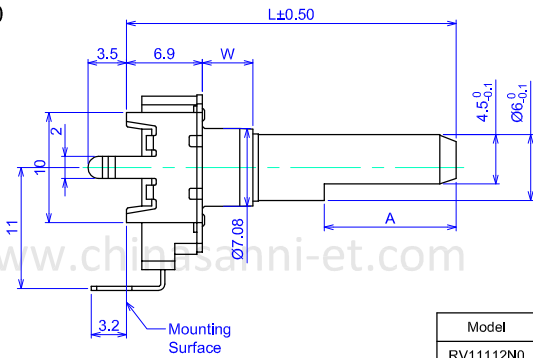
Shaft shown in full CCW position



PC board mounting hole dimensions (Viewed from mounting side)

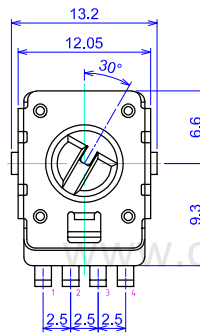


RV11112N0
RV11122N0

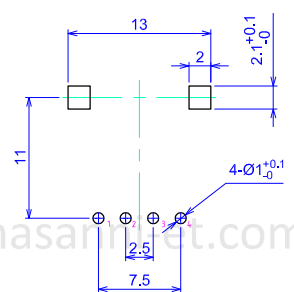


Model	W
RV11112N0	1.6
RV11122N0	4.6

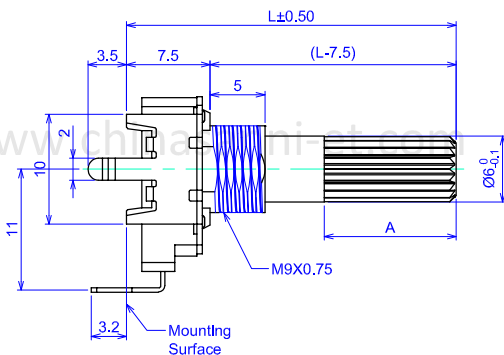
Shaft shown in full CCW position



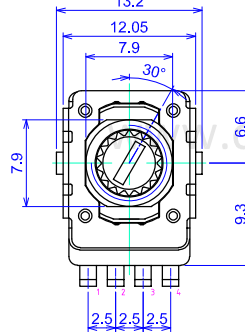
PC board mounting hole dimensions (Viewed from mounting side)



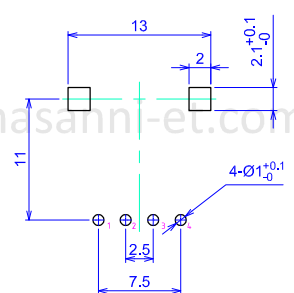
RV111A2N0



Shaft shown in full CCW position



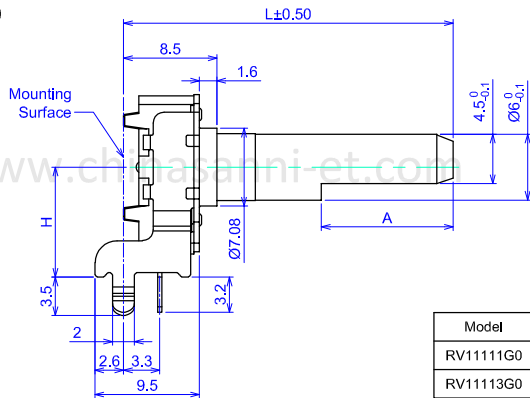
PC board mounting hole dimensions (Viewed from mounting side)



Product Dimensions

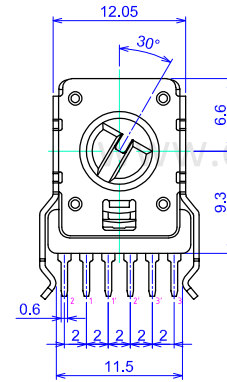
Unit:mm

RV11111G0
RV11113G0

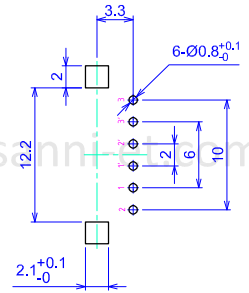


Model	H
RV11111G0	10.0
RV11113G0	12.5

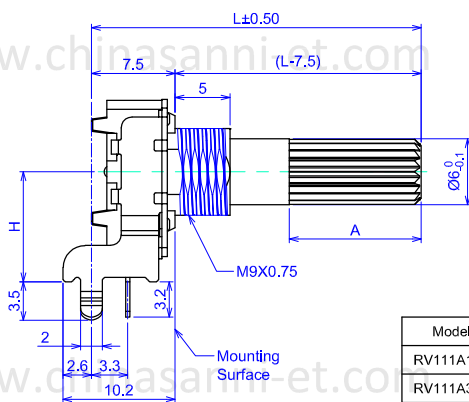
Shaft shown in full CCW position



PC board mounting hole dimensions (Viewed from mounting side)

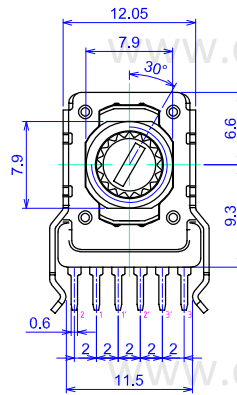


RV111A1G0
RV111A3G0

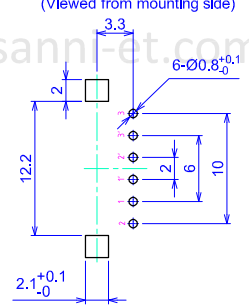


Model	H
RV111A1G0	10.0
RV111A3G0	12.5

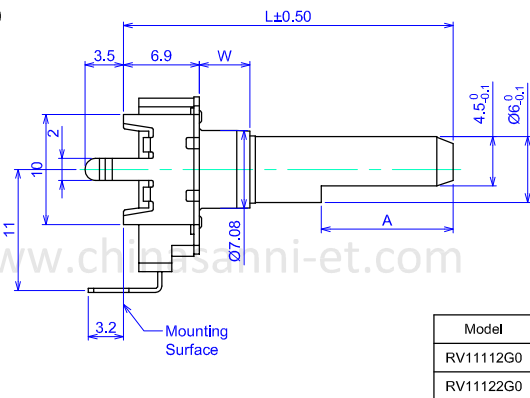
Shaft shown in full CCW position



PC board mounting hole dimensions (Viewed from mounting side)

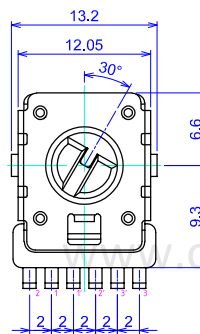


RV11112G0
RV11122G0

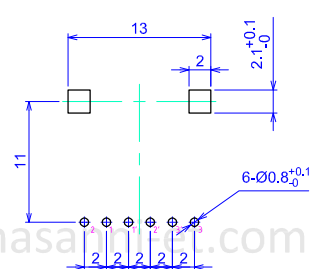


Model	W
RV11112G0	1.6
RV11122G0	4.6

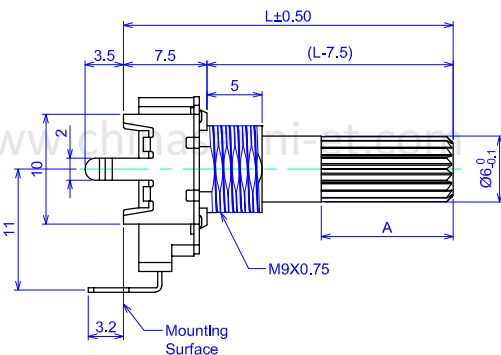
Shaft shown in full CCW position



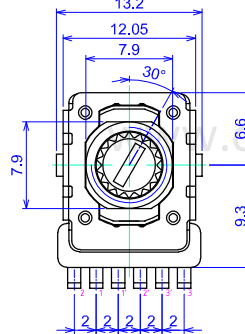
PC board mounting hole dimensions (Viewed from mounting side)



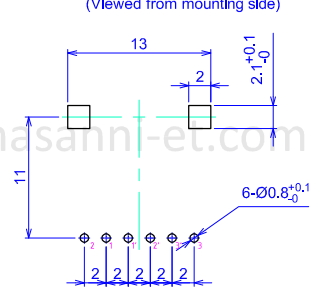
RV111A2G0



Shaft shown in full CCW position



PC board mounting hole dimensions (Viewed from mounting side)



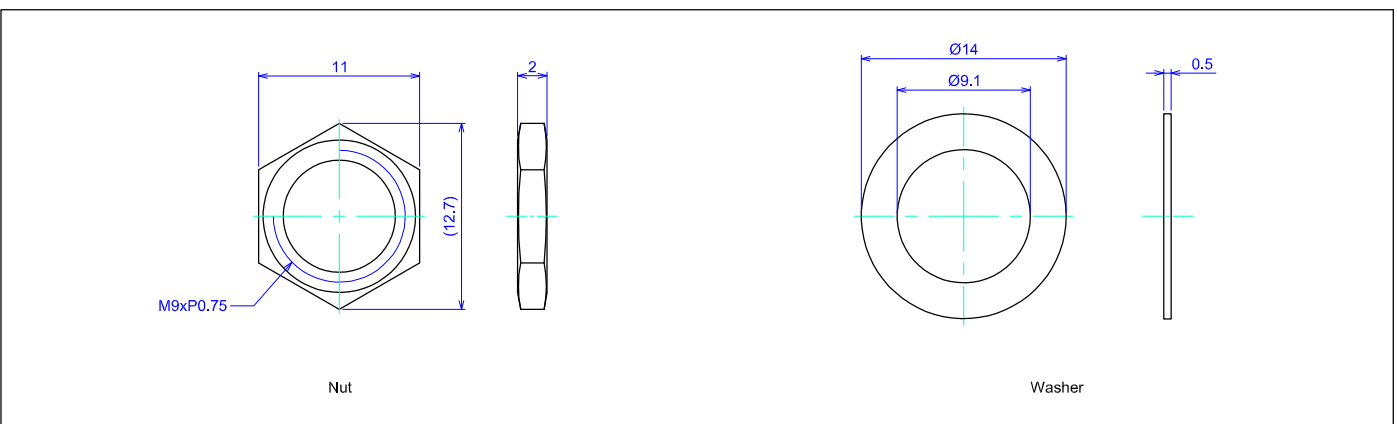
Shaft Specifications

Unit:mm

FA-Shaft Type		Detail Dimensions	TB-Shaft Type		Detail Dimensions
L	15 20 22.5 25 27.5 30 32.5 35 37.5 40		L	15 20 25 30	
A	6.0 7.0 7.0 12 12 12 12 12 12 12		A	4.5 7.0 12 12	

Mounting Hardware

Unit:mm



Electrical Diagrams

N0	R0	G0

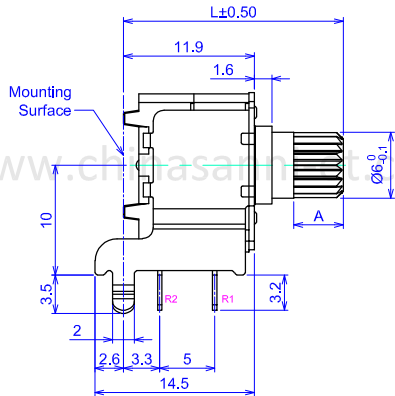
◆ Notes:

- Normal color for shaft is black.
- Shaft length and color can be customized.
- The shaft type shown are normal, if special shaft type needed, please contact with us.
- Material for shaft is PC, if need other material please contact with us.

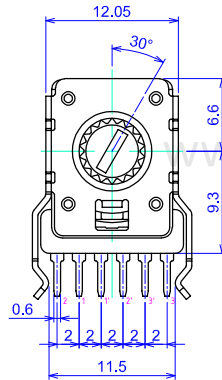
Product Dimensions

Unit:mm

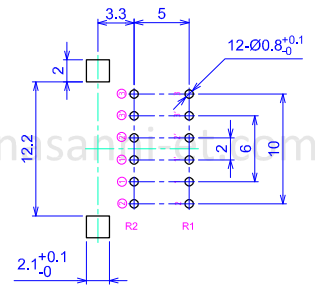
RV11211B0



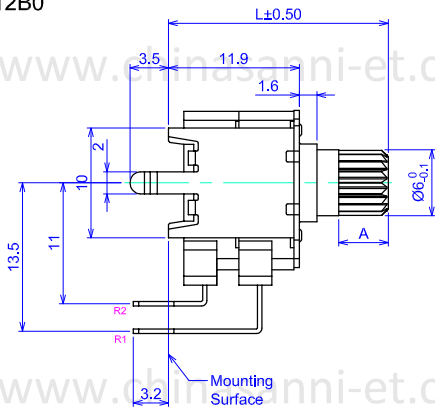
Shaft shown in full CCW position



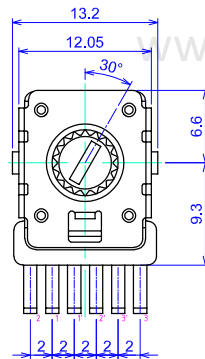
PC board mounting hole dimensions (Viewed from mounting side)



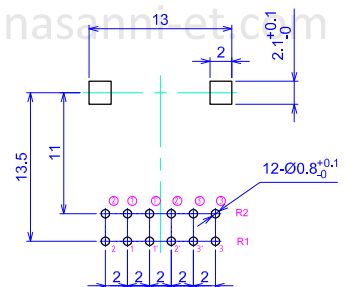
RV11212B0



Shaft shown in full CCW position



PC board mounting hole dimensions (Viewed from mounting side)

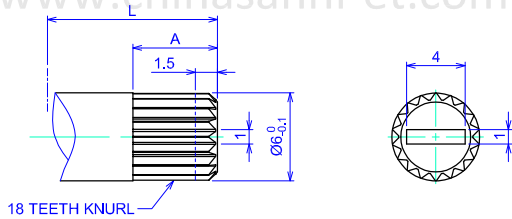


Shaft Specifications

Unit:mm

TB-Shaft Type

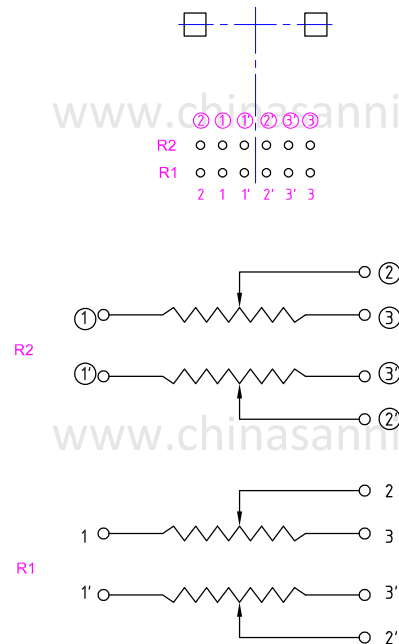
Detail Dimensions



L	20	22.5	25
A	4.5	7.0	12

Electrical Diagrams

B0



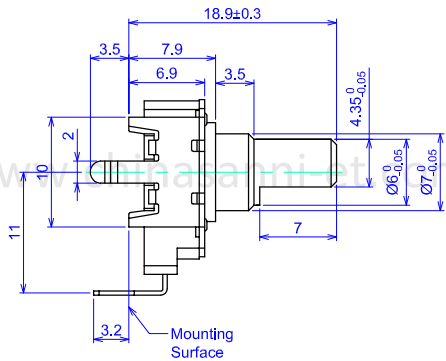
◆ Notes:

- Normal color for shaft is black.
- Shaft length and color can be customized.
- The shaft type shown are normal, if special shaft type needed, please contact with us.
- Material for shaft is PC, if need other material please contact with us.

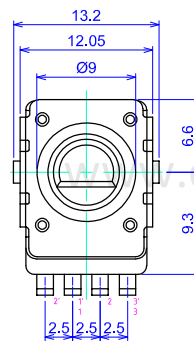
Product Dimensions

Unit:mm

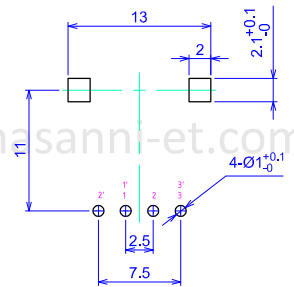
RV11402P0



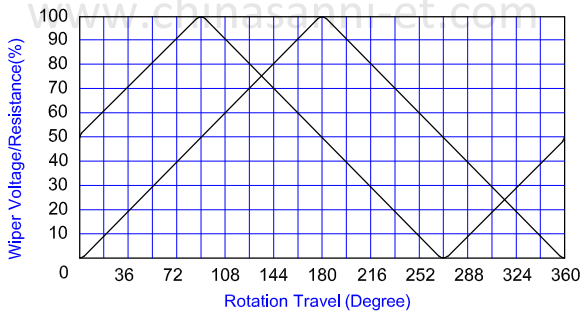
Shaft shown in full CCW position



PC board mounting hole dimensions (Viewed from mounting side)



Standard Resistance Taper



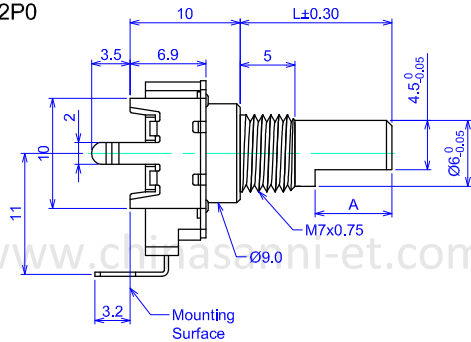
Specification

Standard Resistance Range	1K ohms to 500K ohms.....±20%
Total Rotational Angle	360° Endless
Rotational Torque	20~200 gf.cm
Rotational Speed	Rotational Speed 60 rpm/1Min.
Rated Wattage	0.05W
Maximum Working Voltage	5-15V DC
Dielectric Strength	150V AC-1 Minute
Insulation Resistance	100MΩ Min at 250V DC
Rotation Life	15,000 Cycles

Product Dimensions

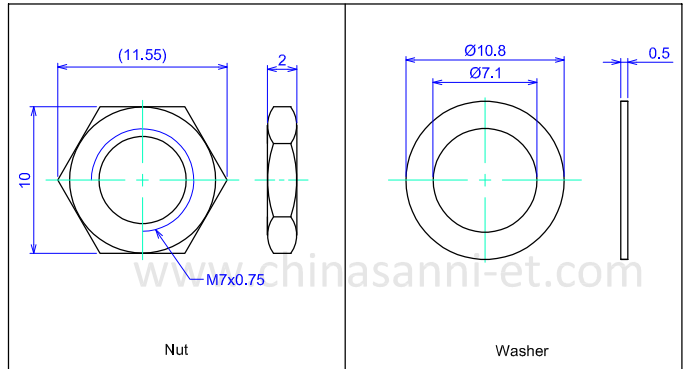
Unit:mm

RV11412P0



Mounting Hardware

Unit:mm

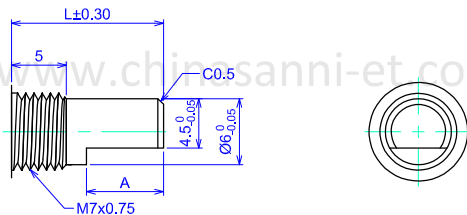


Shaft Specifications

Unit:mm

FB-Shaft Type

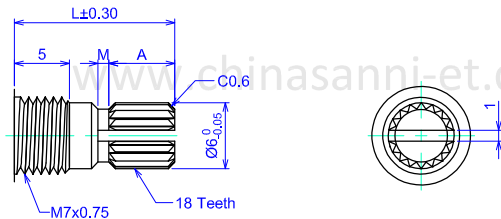
Detail Dimensions



L	10	15	20	25
A	4.0	7.0	12	12

KQ-Shaft Type

Detail Dimensions



L	10	15	20	25
A	3.5	6.0	12	12
M	0.5	1.0	1.5	2.0

Specifications are subject to change without notice. Users should verify actual device performance in their specific applications.